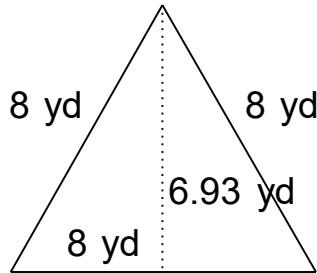


Area of Isosceles and Right Triangles

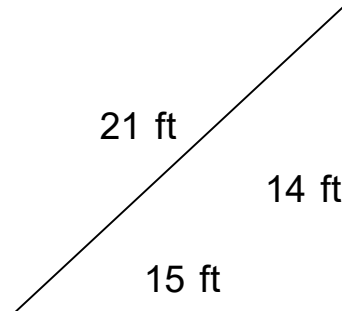
Grade 5 Geometry Worksheet

Find the area of each triangle.

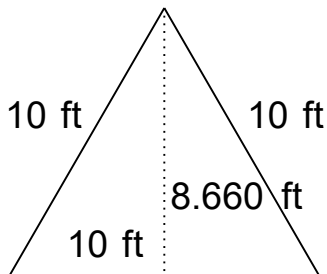
1)



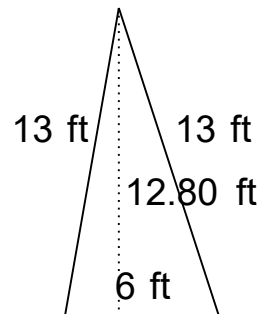
2)



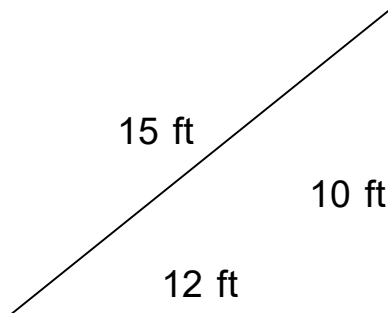
3)



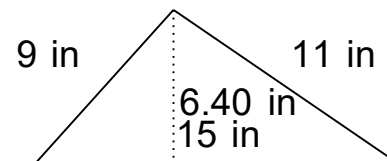
4)



5)



6)

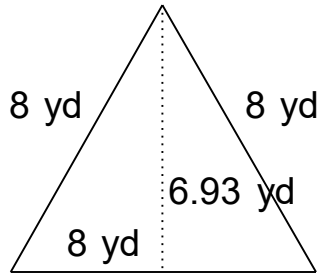


Area of Isosceles and Right Triangles

Grade 5 Geometry Worksheet

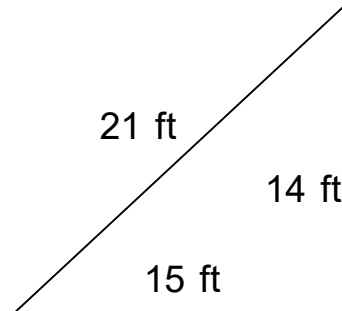
Find the area of each triangle.

1)



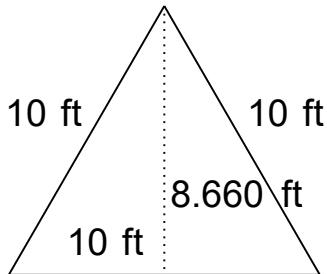
$$A = 27.72 \text{ yd}^2$$

2)



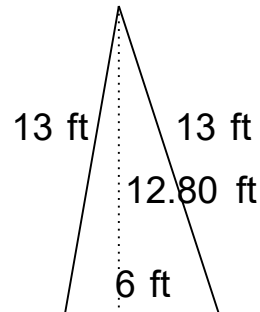
$$A = 105 \text{ ft}^2$$

3)



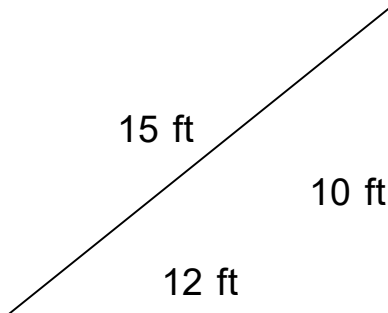
$$A = 43.3 \text{ ft}^2$$

4)



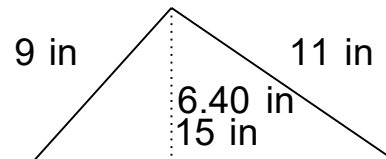
$$A = 38.4 \text{ ft}^2$$

5)



$$A = 60 \text{ ft}^2$$

6)



$$A = 48 \text{ in}^2$$