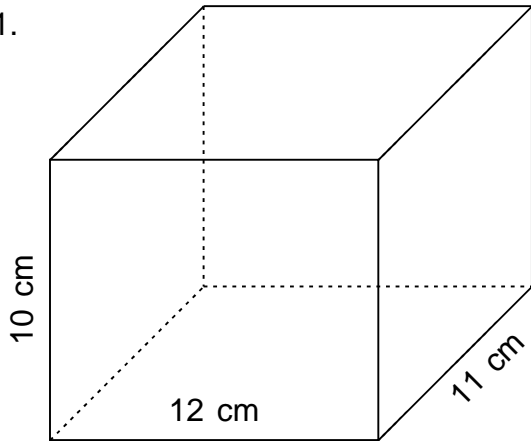


Rectangular prism - volume & surface area

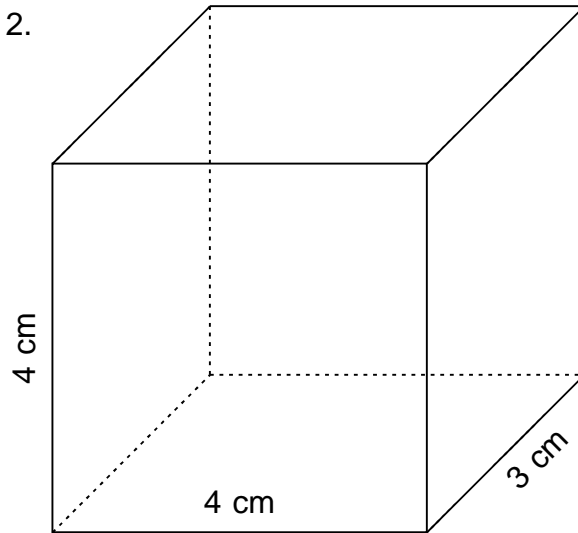
Grade 5 Geometry Worksheet

Find the volume and surface area.

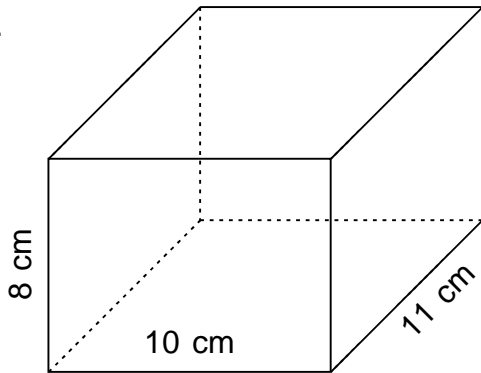
1.



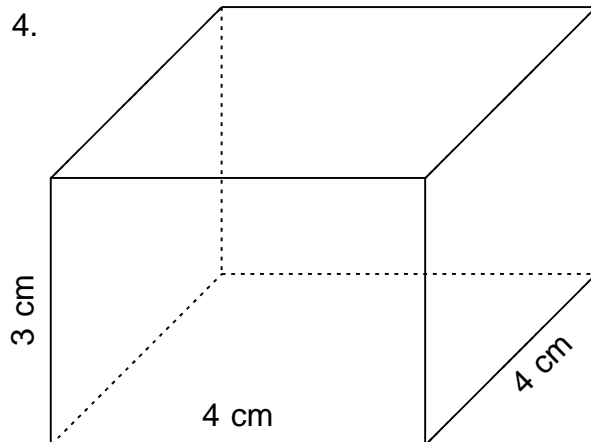
2.



3.



4.

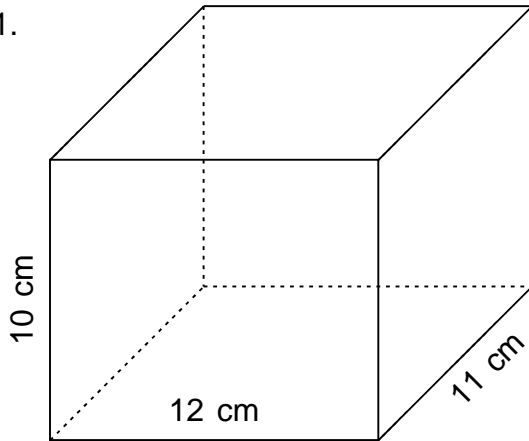


Rectangular prism - volume & surface area

Grade 5 Geometry Worksheet

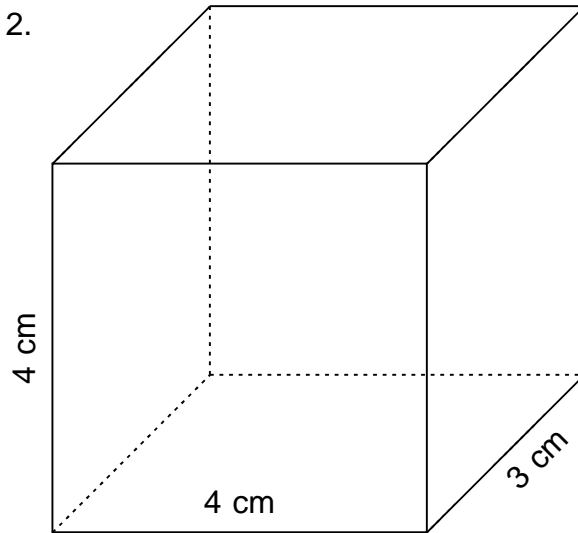
Find the volume and surface area.

1.



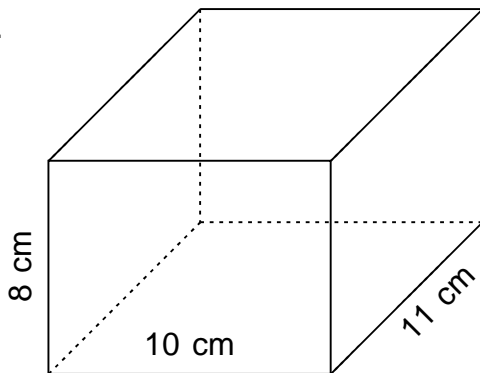
$$V = 1,320 \text{ cm}^3 \quad SA = 724 \text{ cm}^2$$

2.



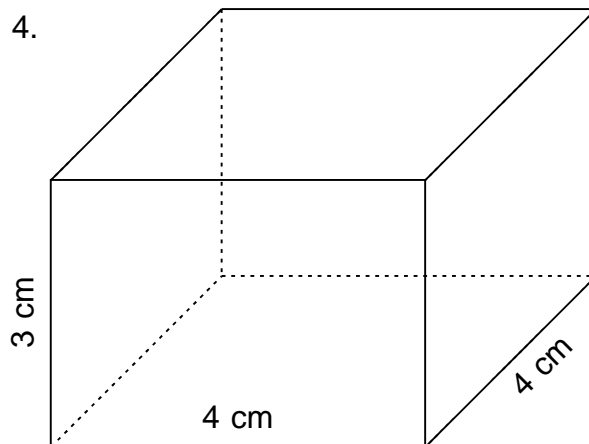
$$V = 48 \text{ cm}^3 \quad SA = 80 \text{ cm}^2$$

3.



$$V = 880 \text{ cm}^3 \quad SA = 556 \text{ cm}^2$$

4.



$$V = 48 \text{ cm}^3 \quad SA = 80 \text{ cm}^2$$