

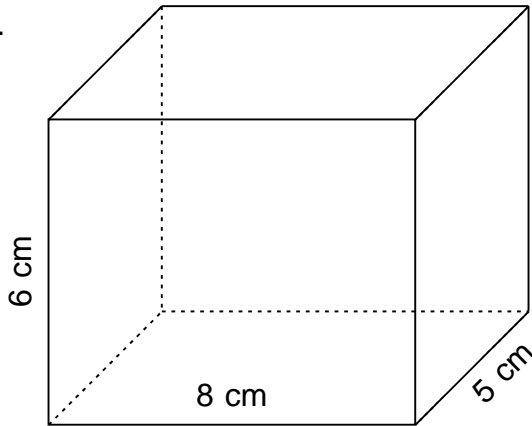
## Rectangular prism - volume & surface area

---

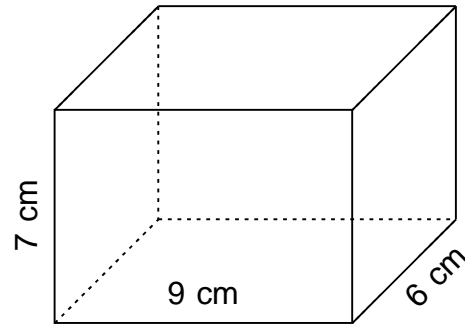
### Grade 5 Geometry Worksheet

Find the volume and surface area.

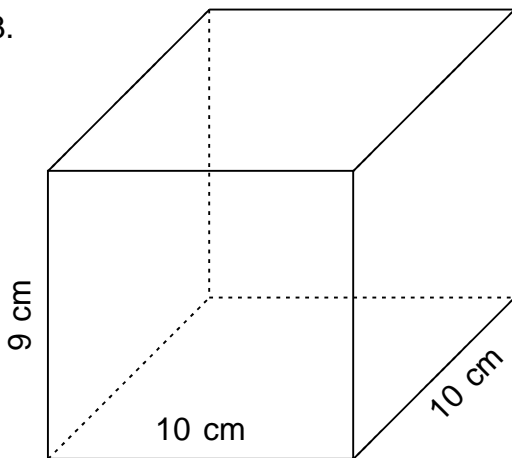
1.



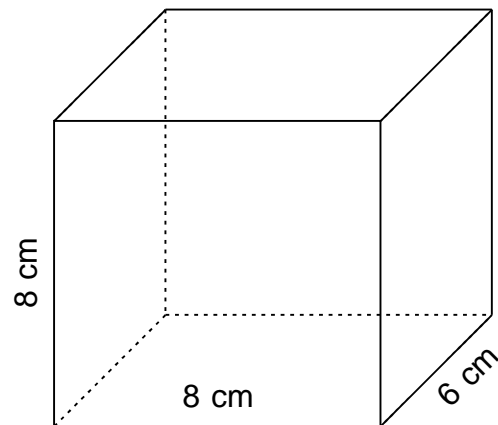
2.



3.



4.



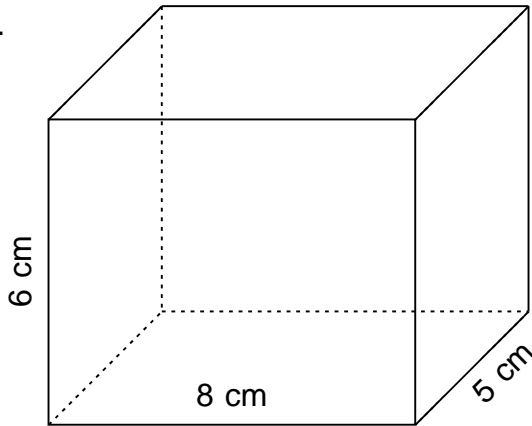
## Rectangular prism - volume & surface area

---

### Grade 5 Geometry Worksheet

Find the volume and surface area.

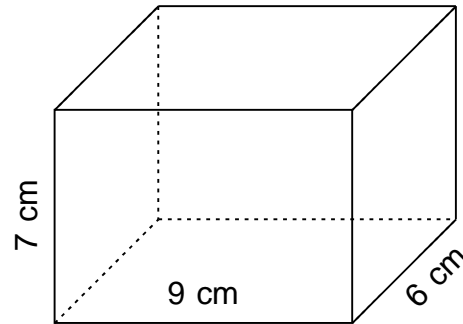
1.



---

$$V = 240 \text{ cm}^3 \quad SA = 236 \text{ cm}^2$$

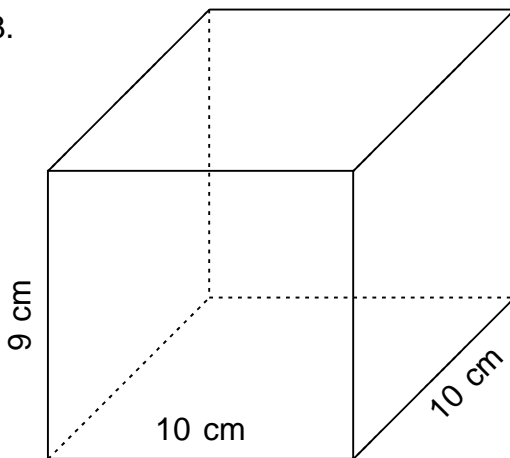
2.



---

$$V = 378 \text{ cm}^3 \quad SA = 318 \text{ cm}^2$$

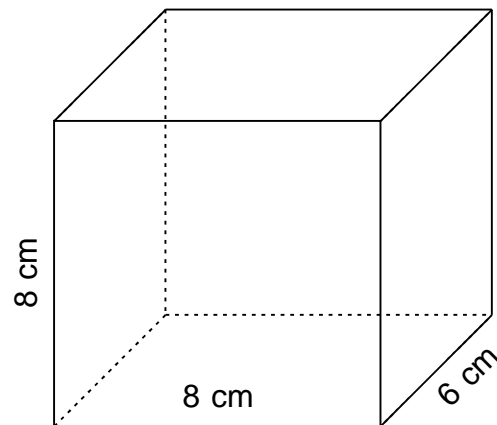
3.



---

$$V = 900 \text{ cm}^3 \quad SA = 560 \text{ cm}^2$$

4.



---

$$V = 384 \text{ cm}^3 \quad SA = 320 \text{ cm}^2$$