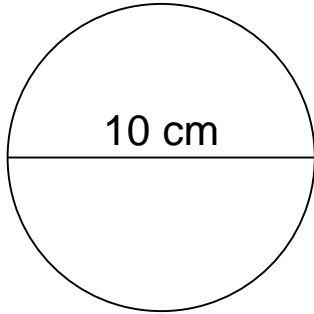


Area of a circle (metric)

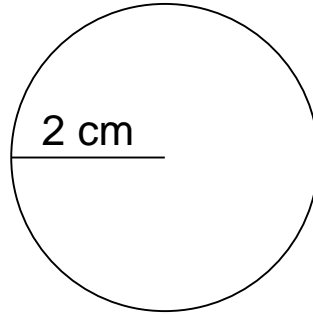
Grade 5 Geometry Worksheet

Calculate the area of each circle.

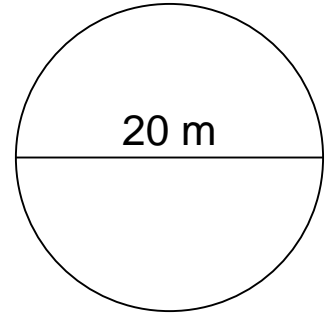
1.



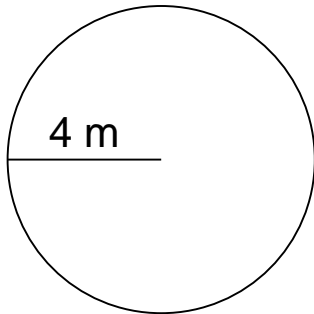
2.



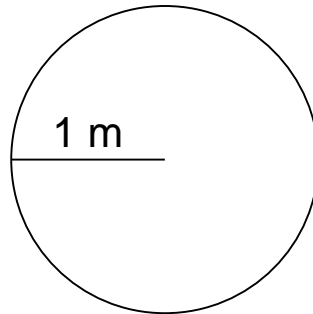
3.



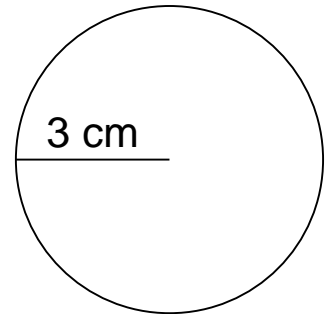
4.



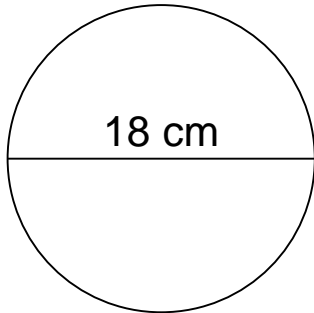
5.



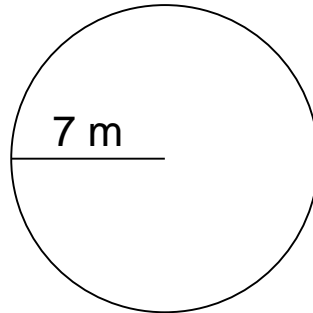
6.



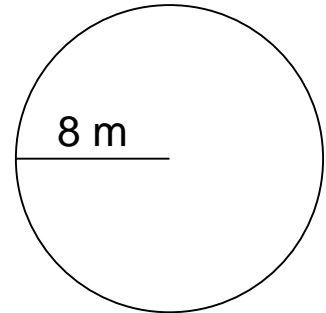
7.



8.



9.

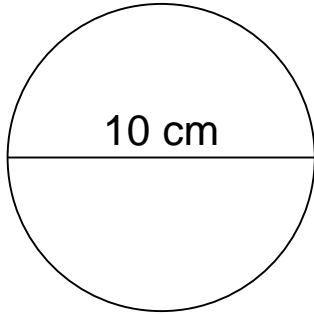


Area of a circle (metric)

Grade 5 Geometry Worksheet

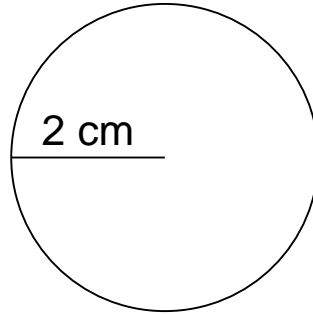
Calculate the area of each circle.

1.



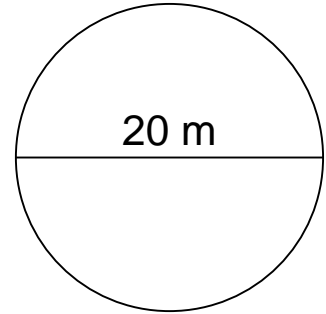
$A=78.50 \text{ cm}^2$

2.



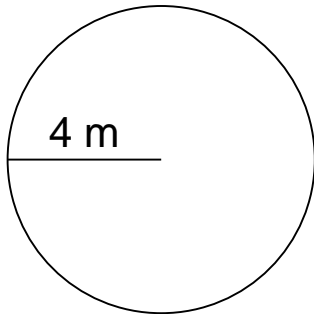
$A=12.56 \text{ cm}^2$

3.



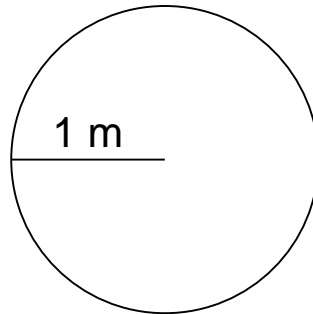
$A=314.00 \text{ m}^2$

4.



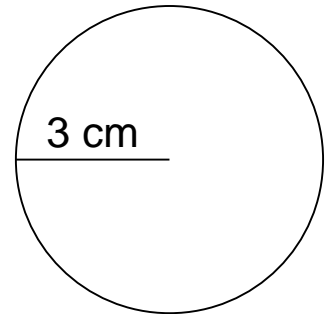
$A=50.24 \text{ m}^2$

5.



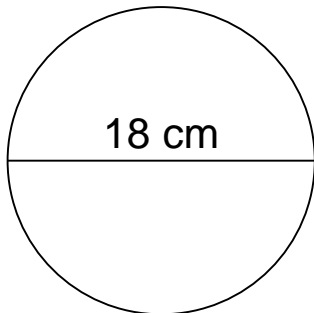
$A=3.14 \text{ m}^2$

6.



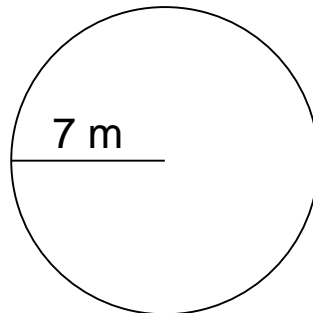
$A=28.26 \text{ cm}^2$

7.



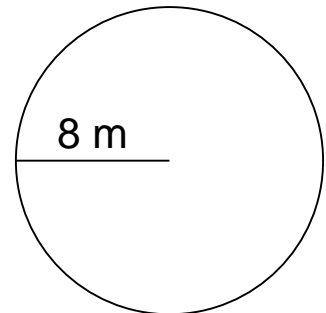
$A=254.34 \text{ cm}^2$

8.



$A=153.86 \text{ m}^2$

9.



$A=200.96 \text{ m}^2$