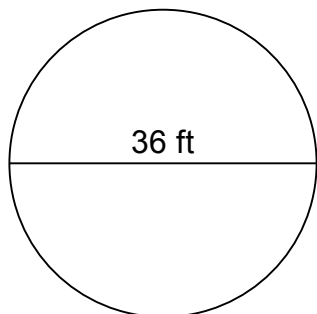


Circles - circumference

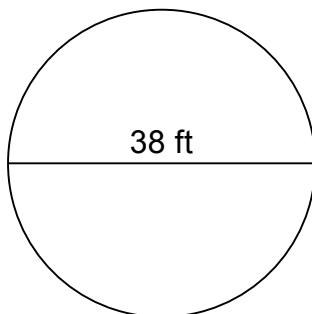
Grade 4 Geometry Worksheet

Find the circumference of each circle from the given radius or diameter.

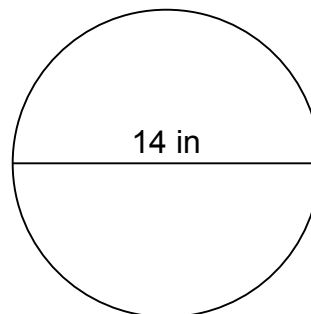
1.



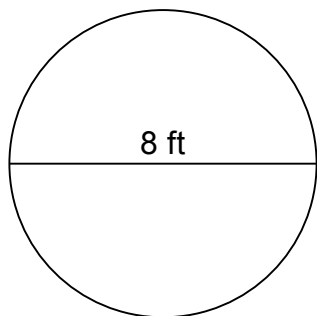
2.



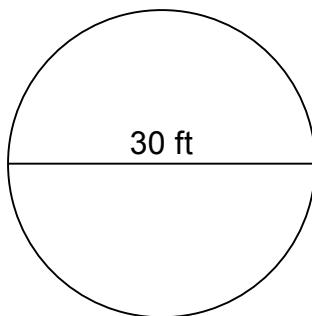
3.



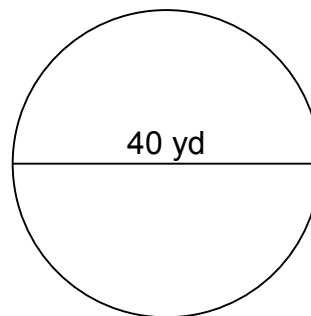
4.



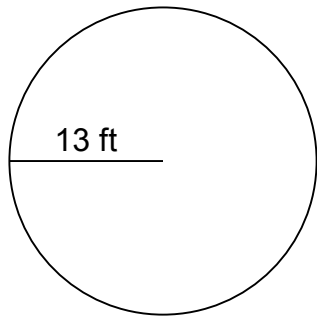
5.



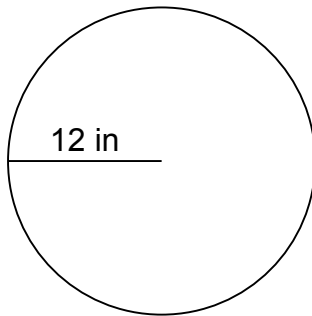
6.



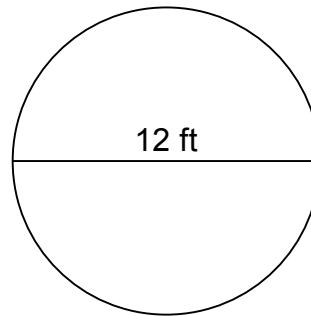
7.



8.



9.

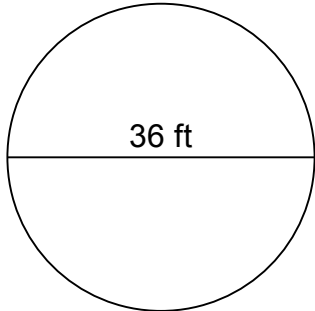


Circles - circumference

Grade 4 Geometry Worksheet

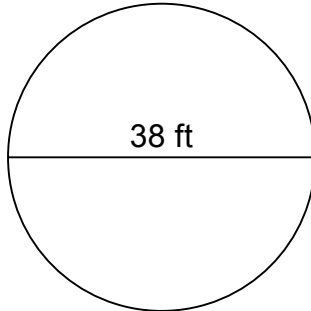
Find the circumference of each circle from the given radius or diameter.

1.



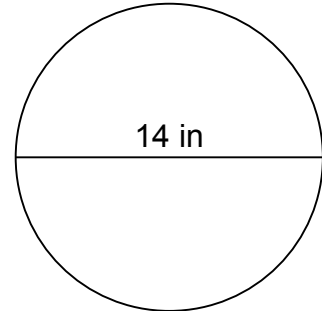
$C=113.04$ ft

2.



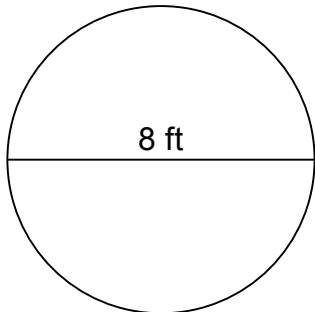
$C=119.32$ ft

3.



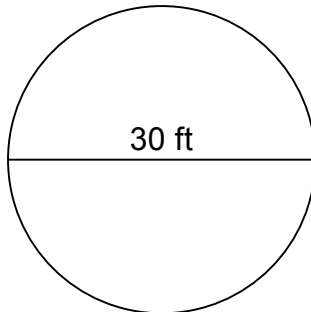
$C=43.96$ in

4.



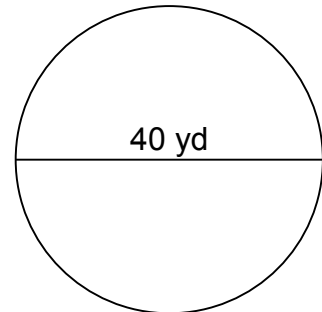
$C=25.12$ ft

5.



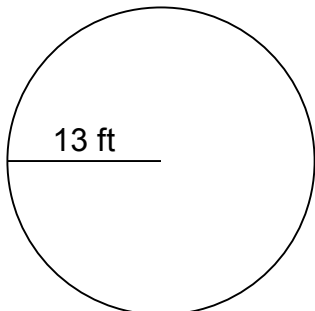
$C=94.20$ ft

6.



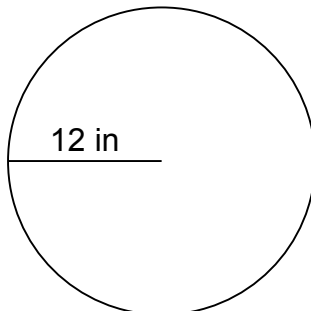
$C=125.60$ yd

7.



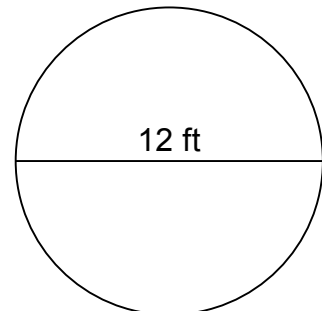
$C=81.64$ ft

8.



$C=75.36$ in

9.



$C=37.68$ ft
